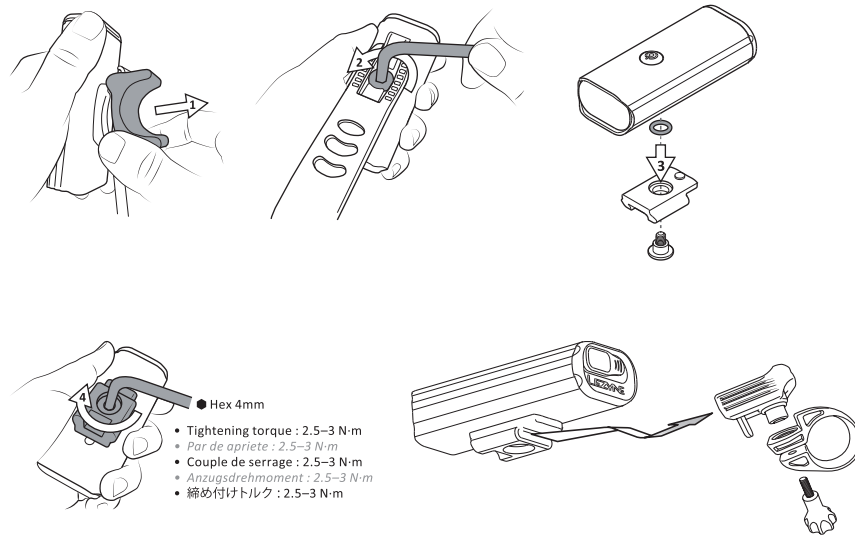


Mounting



- Hex 4mm
- Tightening torque : 2.5–3 N·m
- Par de apriete : 2.5–3 N·m
- Couple de serrage : 2.5–3 N·m
- Anzugsdrehmoment : 2.5–3 N·m
- 締め付けトルク : 2.5–3 N·m

71814-LZ9-MOUNTING-GUIDE-R1-A2

NOTES:

COLORS:

MATERIALS:

LEZYNE

PROPRIETARY AND CONFIDENTIAL:

THE INFORMATION CONTAINED IN THIS DRAWING IS THE SOLE PROPERTY OF LEZYNE. ANY REPRODUCTION IN PART OR AS A WHOLE WITHOUT THE WRITTEN PERMISSION OF LEZYNE IS PROHIBITED

TITLE: MOUNTING INSTRUCTION FOR MACRO/POWER LOADED

DRAWN BY

KAREN WENG

19-AUG-2015

SIZE
A4

CHECKED BY

KYLE CASTEEL

19-AUG-2015

STATE: RELEASED

MATERIAL: XXX

DWG NO: 71814

FILE NO.

MACRO POWER-MOUNT-R1

SCALE= 1:1

REV
A.2

SHEET 1 OF 1